

# LED 8FT Tube Lights



# LEDGEEKS

SMARTER SUPPLY AND SERVICE



## Product Description

LEDGeeks 8FT Led Tube lights has half aluminum and half PC cover design High luminous efficiency 130LM/W. robust components and strong. Convention installation for replacing traditional fluorescent 8 FT tubes, excellent LED driver and thermal management, High-performance illumination that lasts 100,000HRS. with typical energy savings of 80%.

## Applications:

Indoor warehouses, Shopping mall, or other commercial areas.



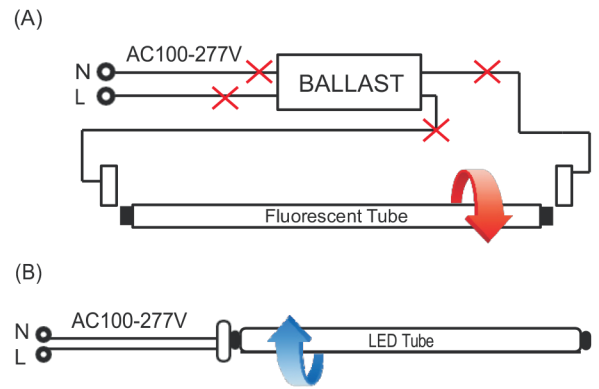
## Electric Characteristic

Specification/Model	ZS-T8-36P8FT-FA8(5000K)
Operation	Ballast Bypass/Double-Ended Wiring
Input power	36W
Lumens output	4680LM
Lumen efficiency	130LM/W
CRI	> 80Ra
Color Temperature	3000K/4000K/5000K/6500K
Input voltage	100-277V
Frequency	50-60HZ
OperationTemperature	-20~+50°C
Junction Temperature	<75°C
DRIVER Efficiency	90%
Certificate	UL,cUL,DLC
PIN/BASE Option	SINGLE PIN, R17D, DOUBLE PIN

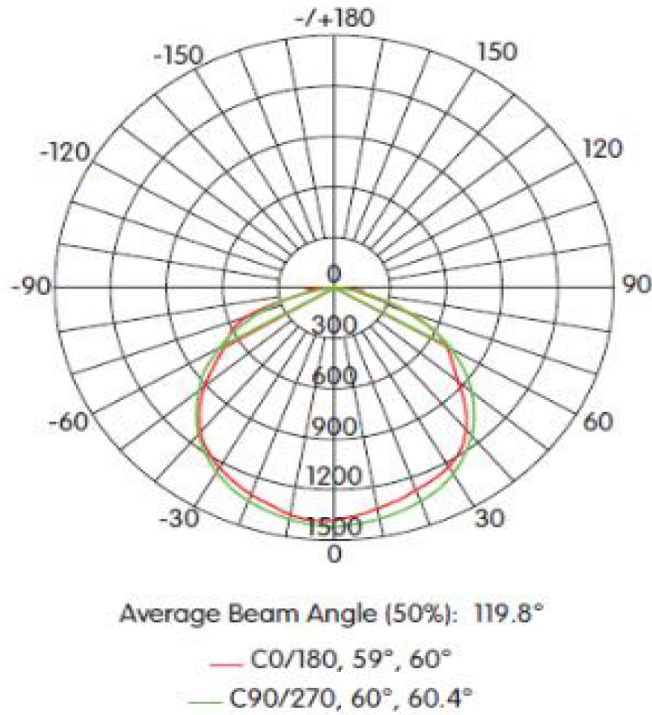
## Installation Guide

### Retrofit Procedure:

1. Turn OFF power to the fixture at the breaker panel before installation.
2. Open the diffuser from the light fixture.
3. Remove the fluorescent tubes ballasts and dispose of these properly as they may have mercury.
4. The tube can be wired two sides power as diagram (A)
5. If tube specially marked single side power, please wire them as diagram (B)
6. Replace the cover over the wiring channel.
7. Install the LED tubes and close the diffuser.
8. Switch ON power to the fixture at the breaker panel



## Photometrics



## Projected LED Lumen Maintenance

Operating hours	0	25000	50000
Lumen maintenance factor	1	0.91	0.8

Data references the extrapolated performance projections for the Tube LED Lights platform in a 25°C ambient, based on 10,000 hours of LED testing (tested per IESNA LM - 80-08 and projected per IESNA TM-21-11).

## Dimensions



### After Sale Service:

The product refers to electricians knowledge. Please don't disassemble it by yourself. If any quality problem happens, please contact the factory for warranty details.

NOTE: Actual performance may differ as a result of end-user environment and application. All values are without notice.