

Hazardous LED Flood Light

Product Description

LEDGeeks Hazardous Flood Light use best die-casting aluminum housing, anti-corrosion painting IP65 design. High-performance illumination that lasts 50,000HRS. 10KV surge protection. Replace 300-1000W MH/HPS.



Advantage



1. High Efficacy low decay 700MA LED chip
2. High heat transmit die cast housing ADC12 aluminum, patent design, IP68
3. Shock and vibration resistant tempered glass, super clear 95% light transmit rate
4. Anti-glare. Scientific optical reflector design, making the light more focus, even, comfortable for eyes
5. Original Bridgelux LED source, high luminous efficacy and long lifespan
6. MEANWELL HLG series driver, the highest level of MEANWELL driver
7. Surface treatment- Powder painted, salt resistant and chemical resistant, also hard for dust to accumulate on the surface
8. 2.0mm aluminum PCB with heat index 2.5, keep LED working under cool temperature
9. Working temperature: -30°C to 50°C.
10. IK09 robust design
11. UL certified housing, suitable for marine

Applications

1. Suitable for gas station, petroleum and chemical industries, coal mine, military, airport, warehouse, marine etc.
2. Zone1 & Zone2 gaseous environment, and Zone21 & Zone22 dust environment.
3. Class I Division 2 Group A, B, C, D



Chemical Factory



Offshore Oil Mining



Military Ship



Army Base



Gas Station



Petrol Process Factory



Traning Camp



Navy Port

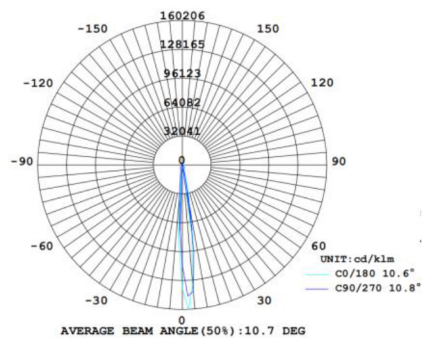


Hazardous LED Flood Light

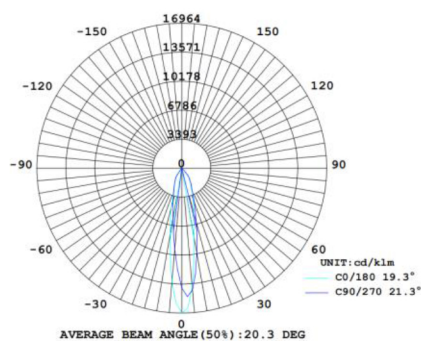
Specifications

Model No.	LSCES-J40W	LSCES-J60W	LSCES-J80W	LSCES-J100W	LSCES-J120W	LSCES-J150W	LSCES-J200W
Input Power	40W	60W	80W	100W	120W	150W	200W
Lumen	5200 LM	7800 LM	10400 LM	13000 LM	15600 LM	19500 LM	26000 LM
Lumen Efficacy	130 LM/W						
Color Temperature	3000K, 4000K, 5000K, 5700K, 6500K						
CRI	>70						
Viewing Angle	120° x 120° Degree						
Input Voltage	100-277VAC 50/60Hz						
PF	≥0.98						
THD	≤10%						
Driver Brand	Meanwell						
Driver Model	HLG-40-42A	HLG-60-42A	HLG-80-42A	HLG-100-42A	HLG-120-42A	HLG-150-42A	HLG-185-42A
Optional Accessory	Photocell / Surge protector/ Motion sensor						
LED Brand	Bridgelux						
LED Type	3030						
LED QTY	36 PCS	108 PCS	108 PCS	108 PCS	192 PCS	192 PCS	192 PCS
Housing	Aluminum Alloy						
Housing Color	Gray/Green/Yellow/Customized						
Waterproof Rating	IP68						
Operating Temperature	-40°C TO 50°C						
Operating Humidity	20%-90% RH						
Storage Temperature	-40°C TO 80°C						
Storage Humidity	10%-95% RH						
Warranty Time	5 Years						

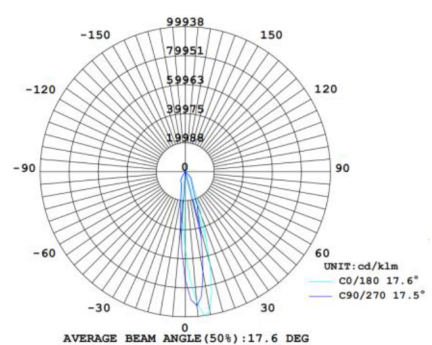
Photometrics



40W



60W,80W,100W



120W,150W,200W

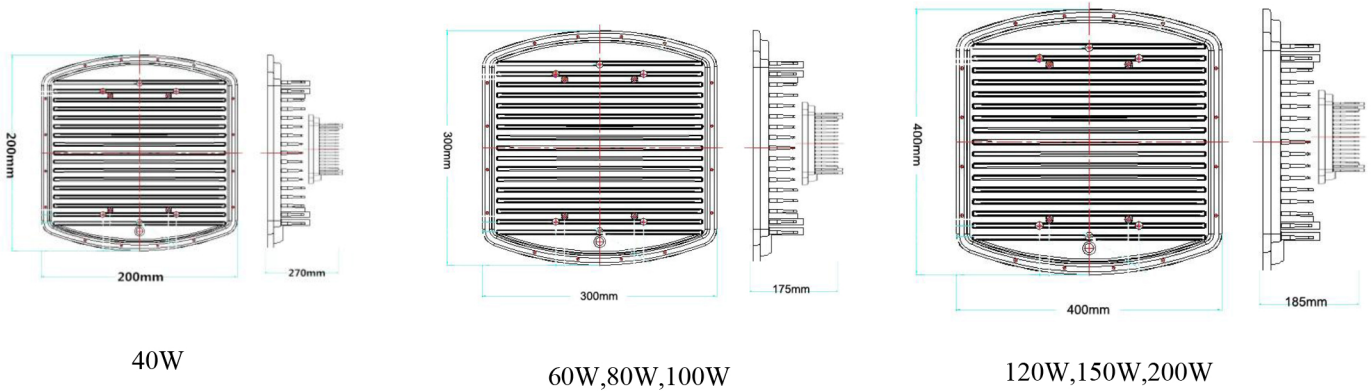
Hazardous LED Flood Light

Projected LED Lumen Maintenance

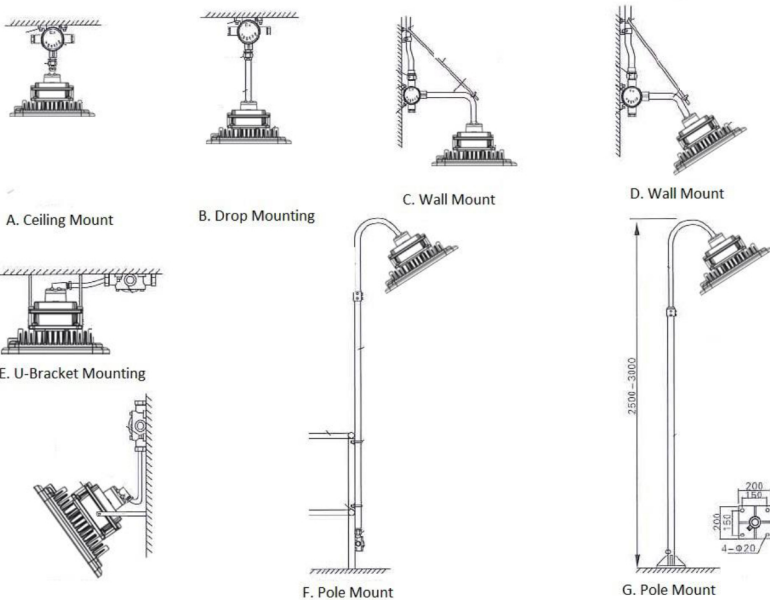
Operating hours	0	25000	50000
Lumen maintenance factor	1	0.91	0.8

Data references the extrapolated performance projections for the Hazardous Flood light platform in a 25°C ambient, based on 10,000 hours of LED testing (tested per IESNA LM-80-08 and projected per IESNA TM-21-11).

Dimensions:mm



Installation



- Fixture is equip with Bracket
- Connection outlet conduit: 3/4" NPT
- Conduit and pole are not included in products.
- All installation must conduct by qualify electrician.
- Seal must be placed in each conduit

Hazardous LED Flood Light

Mounting Kits Options

1. U shaped bracket



2. Adjustable Wall/Ceiling Mount Plate



3. High bay mount hook



4. Recessed mount holder



Packing Information

Item No.	Outside Carton	QTY/CTN	N.W.	G.W.
LSCES-J120,150,200	460x460x240mm	1	11.5kgs	12.5kgs
LSCES-J60,80,100	370x370x240mm	1	7.5kgs	8.5kgs
LSCES-J40S	360*250x200mm	1	4kgs	4.5kgs

Hazardous LED Flood Light

Notice For User

Please turn off power before install or change assembly parts.
The input voltage and lamps should be matched, after connecting the power line,
Please make sure the wiring section is insulated.
No-professionals, must not install and disassemble the lamps.

After Sales Service

The product refers to electricians knowledge. Please don't disassemble it by yourself.
If any quality problem happens, please contact the factory for warranty details.
NOTE: Actual performance may differ as a result of end-user environment and application. All values are without notice.
