

# LED UFO Highbay Light

## Product Description

LEDGeeks UFO Highbay Use Best Die-Casting Aluminum Housing, Anti-Corrosion Painting Design. High-performance Replace 200-900W MH/HPS.

## Advantage

- UL DLC Certified.
- Input Voltage 100-277VAC.
- No UV or IR in the beam.
- Easy Install and Maintenance.
- Energy saving, Long lifespan.
- Light is soft and uniform, safe to eyes.
- Instant start, No flickering, No Harm.
- Green and Eco-friendly without mercury.
- Output constant current lever can be adjusted through output cable with 1-10V.

\*The product can not be connected to a dimming device when it's equipped with Motion Sensor.



## Applications

Warehouse, factory and workshops; Exhibition hall and supermarkets, etc

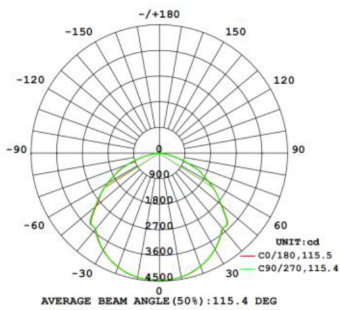


# LED UFO Highbay Light

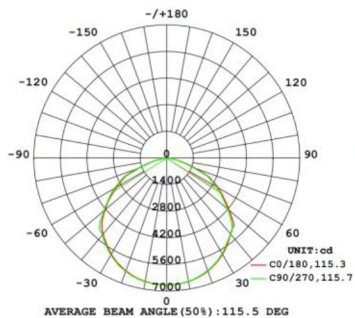
## Specifications

<b>Model No.</b>	LS6EBH100XXK	LS6EBH150WXXK	LS6EBH200WXXK	LS6EBH240WXXK
<b>Input Power</b>	100W	150W	200W	240W
<b>Lumen</b>	13000-15000LM	19500-22500LM	26000-30000LM	31200-36000LM
<b>Lumen Efficacy</b>	130lm/W			
<b>Color Temperature</b>	4000K, 5000K			
<b>CRI</b>	>80			
<b>Viewing Angle</b>	110°			
<b>Input Voltage</b>	AC 100-277V			
<b>PF</b>	≥0.9			
<b>THD</b>	≤20%			
<b>Driver Brand</b>	Sosen			
<b>LED Brand</b>	Samsung			
<b>LED Type</b>	2835			
<b>LED QTY</b>	320Pcs	440Pcs	600Pcs	720Pcs
<b>Housing</b>	Aluminum Alloy			
<b>Housing Color</b>	Black			
<b>Environment Location</b>	Wet Location			
<b>Operating Temperature</b>	-40°F TO 122°F			
<b>Operating Humidity</b>	20%-90% RH			
<b>Storage Temperature</b>	-40°F TO 158°F			
<b>Storage Humidity</b>	10%-95% RH			
<b>Warranty Time</b>	5 Years			

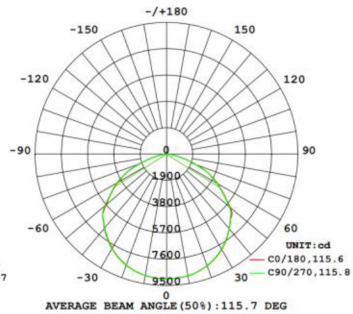
## Photometrics



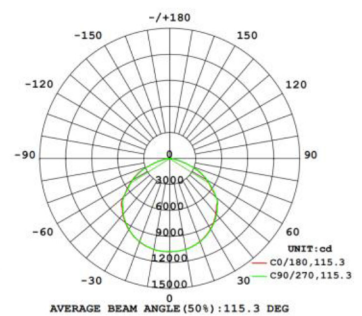
100W



150W



200W



240W

# LED UFO Highbay Light

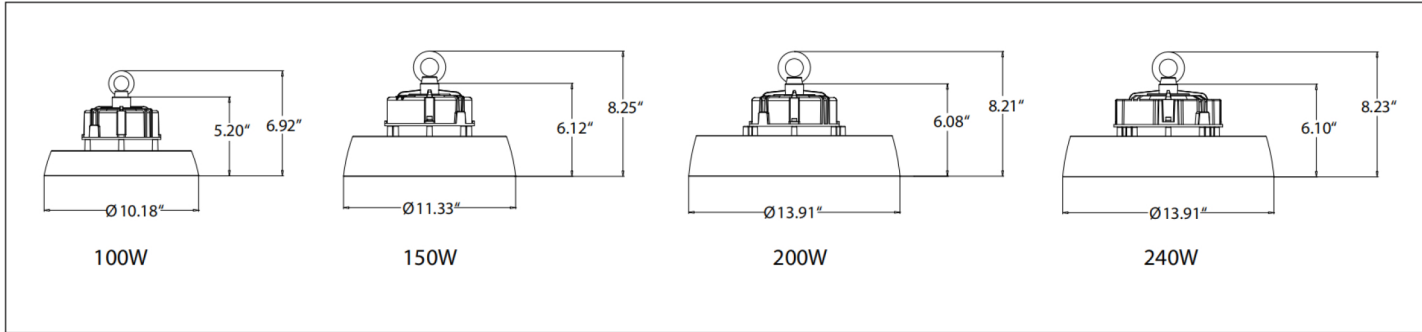
## Projected LED Lumen Maintenance

<b>Operating hours</b>	<b>0</b>	25000	50000
<b>Lumen maintenance factor</b>	<b>1</b>	0.91	0.8

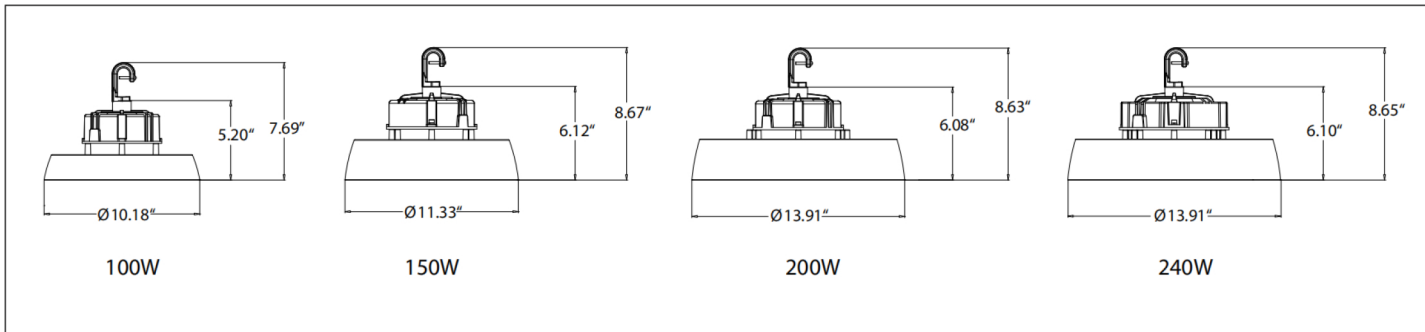
Data references the extrapolated performance projections for the UFO Highbay LED platform in a 25°C ambient, based on 10,000 hours of LED testing (tested per IESNA LM-80-08 and projected per IESNA TM-21-11).

## Dimensions: Inch

### 1. Rings type:



### 2. Hook type:



## Packing Information

Power	Outer box L*W*H	Qty/ctn (pcs)	N. W./Ctn (LBS)	G. W./ctn (lbs)
100W	12.40" x 12.40" x 7.87" 315*315*200mm	1	5.7	7.5
150W	13.58" x 13.58" x 8.66" 345*345*200mm	1	8.0	9.9
200W	16.34" x 16.34" x 8.46" 415*415*215mm	1	9.9	12.3
240W	16.34" x 16.34" x 8.46" 415*415*215mm	1	10.9	13.3

# LED UFO Highbay Light

## Features

1.



Radiator adopts ADC12 aluminum integrated die-casting molding, which has small thermal resistance. The center of the lamp is designed with a unique convection hole to form a chimney convection heat dissipation, which can make the lamps get a better cooling effect in harsh environments.

2.

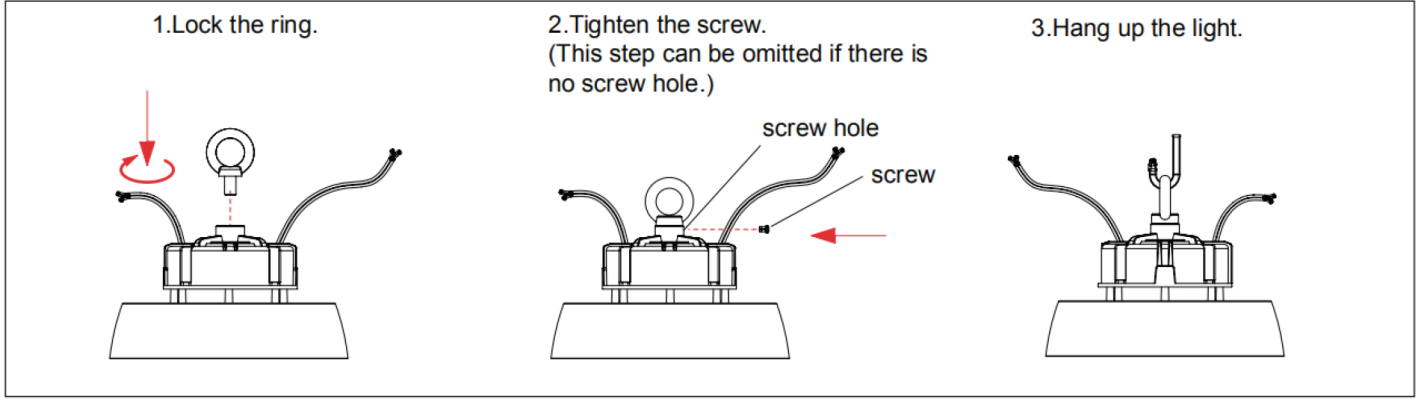


Both 60° and 90° ring lens can be used.

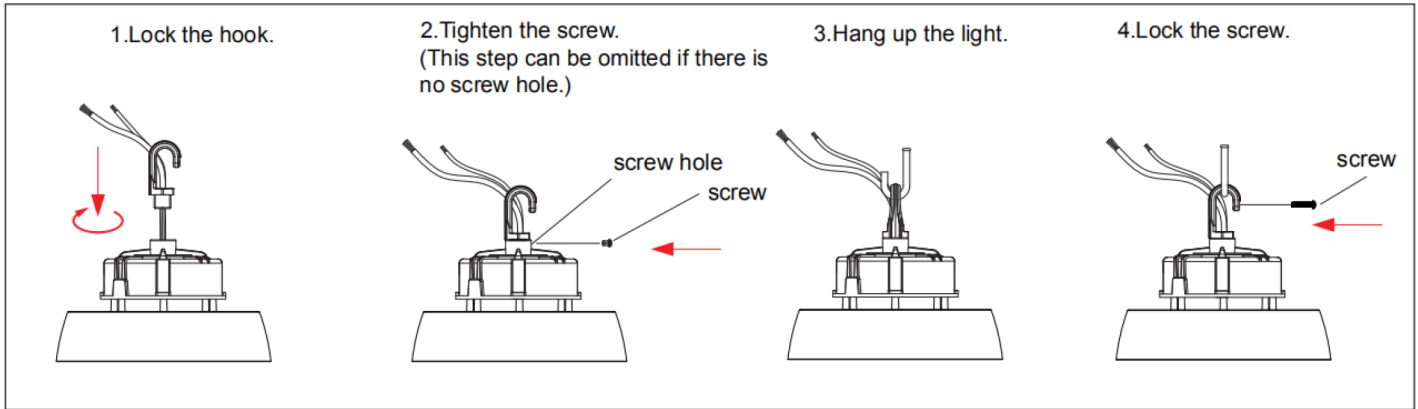
The microwave sensor is placed in the center of the lamp, it is easy to install and has a simple appearance.

## Installation Instruction

### 1. Rings type:



### 2. Hook type:



## Notice For User

Please turn off power before install or change assembly parts.  
The input voltage and lamps should be matched, after connecting the power line,  
Please make sure the wiring section is insulated.  
No-professionals, must not install and disassemble the lamps.

## After-Sale Service

The product refers to electricians knowledge. Please don't disassemble it by yourself.  
If any quality problem happens, please contact the factory for warranty details.

NOTE: Actual performance may differ as a result of end-user environment and application. All values are without notice.