



### OVERVIEW

The GBX Series Retrofit Light Bulb is designed to replace up to a 400 W MH or HPS vertically installed light bulb. Advanced thermal management allows the bulb to provide sufficient lumen output while keeping in a size that not exceeding the original bulb.

### APPLICATION

Applications for the GBX bulb include High Bays, Low Bays, and Street Lights, or any fixtures with HID bulbs that are vertically installed.

- Limited Warranty: 5 Years
- Lumen Output: 10,089-10,399 L
- Wattage: 100 W
- Active Thermal Management
- Self Ballasted

**Project:**

**Type:**

**Prepared By:**

**Date:**

### Models

Model	Lumens (LM)	Color Temp (K)	Light Color
GBX500WW	10089	3000	Warm White
GBX500NW	10399	5000	Daylight

## Technical Specifications

### Warranty

LEDGeeks warrants these LED products will be free from defects in materials and workmanship for a period of three (5) years from the date of delivery to the end user, including coverage of light output, color stability, driver performance and fixture finish. Please refer to our full warranty.

### Qualifications

#### UL Listing:

E466044

#### FCC Approved:

#### IESNA LM-79 & LM-80 Testing:

LEDGeeks LED luminaires have been tested by an independent laboratory in accordance with IESNA LM-79 and LM-80.

#### DLC Qualification:

Selected models of this product are on the Design Lights Consortium (DLC) Qualified Products List and are eligible for rebates from DLC Member Utilities. To view our DLC qualified products, please consult the DLC Qualified Products List at [www.designlights.org/qpl](http://www.designlights.org/qpl).

### LED Characteristics

#### Lifespan:

100,000- hour LED lifespan based on IES LM-80 results and TM-21 calculations.

#### LEDs:

Multi-chip, high-output, long-life LEDs

#### Color Stability:

LED color temperature is warranties to shift no more than 200K in CCT over a 5 year period.

#### Color Uniformity:

PacLight's range of CCT ( Correlated Color Temperature) follows the guidelines of th American National Standard for Specifications for the Chromaticity of Solid State Lighting (SSL) Products, ANSI C78.377-2011

#### Color Rendering Index (CRI):

>82

#### R9:

5 (for GBX500WW) and 13 (for GBX500NW)

### Application Suggestion

Any applicable lighting fixture with ballast and starter bypassed.

### Construction

#### IP Rating:

For Wet locations

#### Light Beam Angle:

120°

#### Ambient Temperature:

Suitable for 55°C (131°F) ambient temperature

#### Cold Weather Starting:

The minimum starting temperature is -4 F°/-20° C

#### Installation:

Replace MH/HPS lamps, bypass ballast or starter. Lamp can be installed in any direction.

#### Thermal Management:

Active thermal management with external Heatsink

#### Dimensions:

Dia 4.94 in x L 9.96 in.

#### Base:

E39 (Modul Base)

#### Net Weight:

2.09 lb

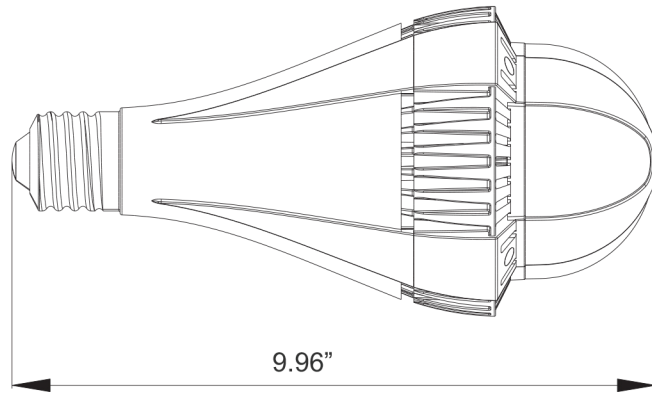
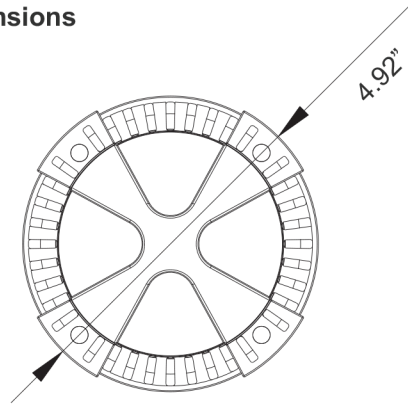
### Electrical

100w, 100-277v, 50-60 Hz, Power Factor >0.90  
Not Dimmable (480V Option Available)

## Ordering Matrix

Model	Color Temperature
GBX500	NW
	WW = 3000 K
	NW = 5000 K

## Dimensions

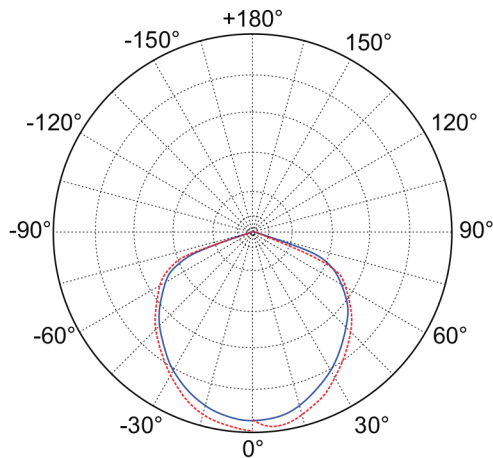


## Zonal Lumen Summary (GBX500WW / GBX500NW)

Zone	0-30	0-40	0-60	0-90	0-120	0-180
<b>Lumens</b>	2628.4	4324.8	8034.8	10140	10144	10157
<b>% Fixt</b>	25.9%	42.6%	79.11%	99.8%	99.9%	100%
Zone	60-90	90-120	90-130	90-150	90-180	0-60.53
<b>Lumens</b>	3015.2	16.12	18.86	24.46	28.38	8125.7
<b>% Fixt</b>	29.69%	0.16%	0.19%	0.24%	0.28%	80%

Zone	Lumens	Zone	Lumens
0-10	321.14	90-100	0.89
10-20	919.17	100-110	1.32
20-30	1388.05	110-120	2.08
30-40	1696.43	120-130	2.73
40-50	1859.93	130-140	2.92
50-60	1850.12	140-150	2.68
60-70	1549.72	150-160	2.18
70-80	494.70	160-170	1.39
80-90	61.21	170-180	0.35

## Light Distribution Curve



## Illuminance at Distance

Distance	Center Beam	Beam Width
17 ft	10.2 fc	150 ft
34 ft	2.7 fc	203 ft
51 ft	1.2 fc	240 ft
68 ft	0.7 fc	280 ft
85 ft	0.5 fc	283 ft
102 ft	0.3 fc	320 ft